

Factory Automation & Robotics

Manual bottle rotating air washing machines with high washing performance operable for long hours without tiring the operators

具有高清洗能力，即使长时间作业也不知疲倦的手动式空气洗瓶机

WILST WS-2SF-T/WS-2GS

WS-2SF-T Features 特征

- Ideal for the complex bottles commonly associated with cosmetics designs, this model provides an unprecedented level of washing thanks to our new Double Blow Nozzle (patent pending). It thoroughly washes the entire inside of the bottle and cleans the neck with pinpoint aim.
- With its cantilever swing head, this model contributes to the efficient use of space, as the main unit can be stored under an existing conveyor. The operator, when in a seated position for work, can position the knees below the swing head.
- Incorporates an optical sensor to start washing containers so that soft containers, such as tubes, will not be pressed in excess or deformed.
- The upper part of the main unit incorporates a flat table for containers and cases, thus ensuring the efficient use of space. This folding table is provided as standard equipment.
- 化妆品瓶大多采用拉肩式外观设计，而本机器采用新开发的W吹气喷嘴（正在申请专利），能够精准地瞄准瓶体内部整体和瓶肩部进行清洗，发挥前所未有的高清洗效果。
- 采用悬臂转动头部，可将本体收纳于现有的输送机下面，坐姿作业时可通过膝上的头部进行作业等，即使在狭窄空间中也可以有效地使用。
- 在清洗时为了不因按压而使管等柔软的容器变形，启动后可用光学式传感器进行作业。
- 由于本体上部是平坦的工作台，可放置容器箱，并且通过标准装备折叠式工作台，可进一步有效地利用空间。



WS-2GS Features 特征

- Featuring a compact design, this unit delivers essential functions at low cost. This high-value model is ideal for those establishing international operations requiring high quality.
- Automatically inserts a nozzle into bottles, blows air, and vacuums up the air while rotating the bottles, thus demonstrating a high washing effect on bottles with complicated designs.
- Washing time settings are made with a timer, and an indicator lamp tells the completion of washing.
- A compact frame incorporating an air washing filter, suction blower, exhaust gas filter, and electrostatic remover.
- Accommodates all the wiring and piping internally, thus providing a streamlined appearance and a substantially clean environment of washing work.
- Incorporates casters, thus moving to desired places with ease.
- 本机器是浓缩了必要功能的低成本机器。随着全球化的展开，在国外也可以确保质量，并且实现优异的性价比。
- 一边以倒转姿势洗瓶，一边自动将喷嘴插入瓶体内部吹入或吸引空气，因此即使对拉肩式设计的瓶体也能发挥极高的清洗效果。
- 能够用计时器设定清洗时间，通过显示灯通知清洗结束。
- 在小型机身中内置清洗气体用过滤器、吸引送风机、排气用过滤器、去静电装置。
- 通过将配线、配管全部收纳于内部的构造，在拥有简洁外观的同时，实现了清洗作业中极为重要的清洁的作业环境。
- 通过移动脚轮可在必要的场所进行简单的移动。



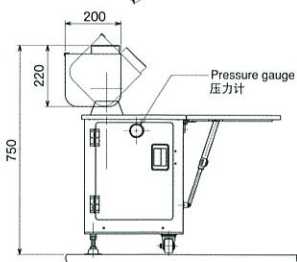
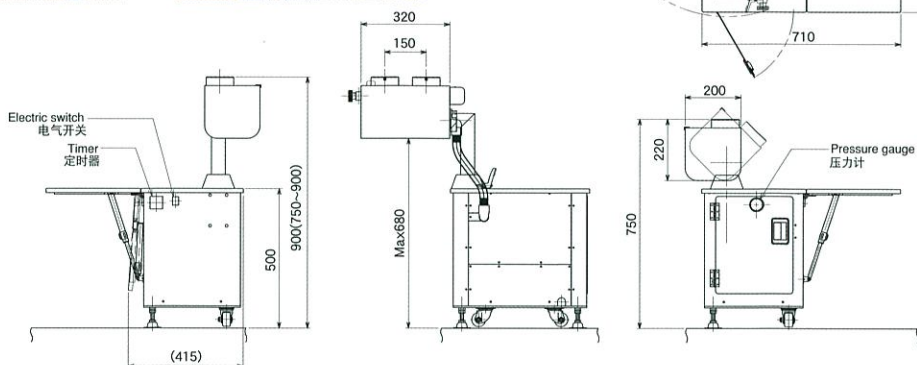
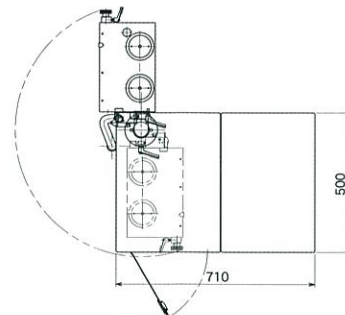
Dimensions 尺寸图

Washing section 清洗部



WS-2SF-T

Work example 作业例

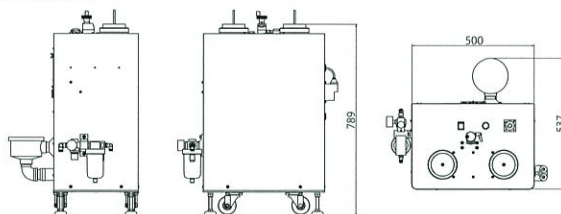


WS-2SF-T

WS-2GS

WIST
Factory Automation & Robotics

WS-2GS



WS-2GS



Specifications 规格

WS-2SF-T	W S - 2 S F - T	Manual Bottle Rotating Air Washing Machine with swing head specifications 手动式倒转空气洗瓶机 转动头规格
WS-2GS	W S - 2 G S	Manual Bottle Rotating Air Washing Machine 手动式倒转空气洗瓶机
Washing system	清洗方式	Clean air purge and blower recovery system with a nozzle inserted into each bottle turned upside down 通过将喷嘴插入倒转的瓶体和管体内进行清洁空气洗涤 & 送风机回收方式
Electrostatic remover	去静电装置	Standard function 标准装配
Number of washing times	清洗口数	Twice with waves 2口
Washing time	清洗时间	1.0- to 12.0-second timer settings 1.0~12.0秒时间设定
Washing posture adjustment	清洗姿势的调整	Washing head swing angle: 0 to 90 degrees (horizontal to vertical) (except WS-2GS) 清洗头转动角度: 0~90度 (水平姿势~垂直姿势) (WS-2GS除外)
Air purge filter	空气洗涤过滤器	Micro-mist air filter (0.01 μm element) 空气微型薄雾过滤器 (0.01 μm元件)
Blower recovery filter	送风机回收过滤器	Dry type filter 干式过滤器
Options	选配件	High-performance filter for air purging (Pall- or Millipore-made), HEPA filter for exhaust gas (except WS-2GS) 空气洗涤用高性能过滤器、(Pall或Millipore公司) 排气用HEPA过滤器 (WS-2GS除外)
Utilities	应用	Power supply: 15 A at 100 VAC, Air: 0.5 MPa min. at 300 NL/min or over AC100V 15A、气压 0.5Mpa以上 300NL / 分钟以上

Distributor <销售商>

Manufacturer <制造商>

WIST CO., LTD

2-26, 3-chome, Hikaridai, Seikacho,
Sorakugun, Kyoto 619-0237 Japan

株式会社 WIST

邮编619-0237 京都府相乐郡精华町光台3丁目2番26号

TEL.81-774-98-6767 FAX.81-774-98-6768

Website 主页: <http://www.wist.co.jp>

WIST
Factory Automation & Robotics