

# Factory Automation & Robotics

A compact cream filling machine of linear-type rotation degassing type

小型直线型旋转脱泡式乳剂充填机

## WIST WR-300BF/WR-500BF

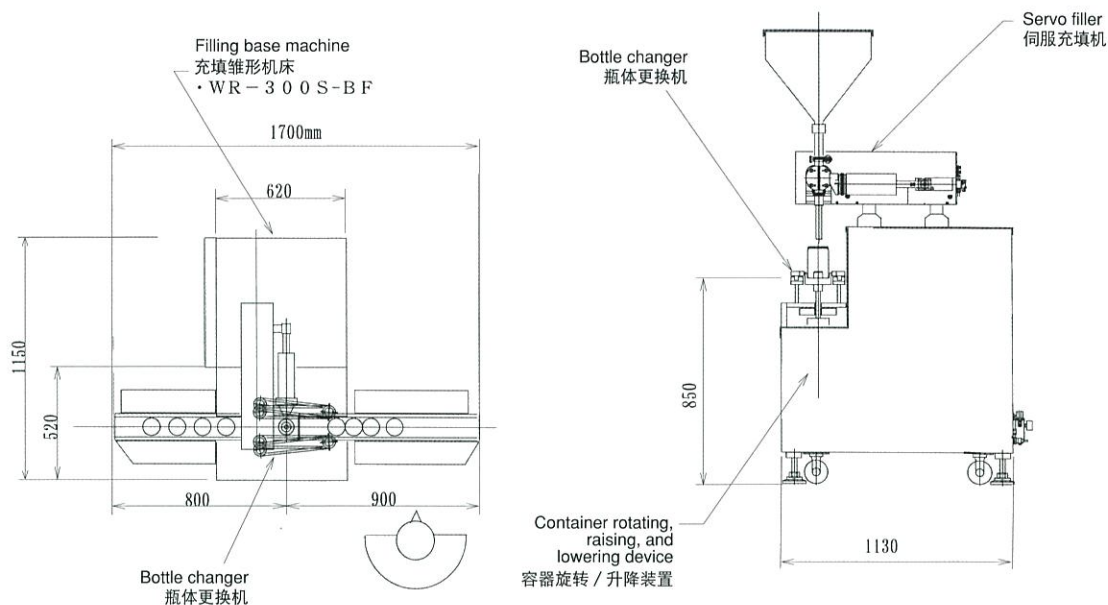


### Features

### 特征

- WIST's unique linear-type high-speed bottle changer requires no specialized parts such as screws or star wheels, and achieves exacting bottle changing and centering through its automatic centering function.
- Rotates complicated bottles at high speed to fill them with a variety of materials including extremely thick cream with ease.
- Individual speed settings can be made for the bottom and opening of the containers to enable the container to be filled right to the top.
- All movement is controlled by an AC servomotor removing the necessity for changeover of the cam and other parts. It also enables up to 99 product types to be memorized and corrections for changes in viscosity to be easily implemented.
- WIST独特的直线型高速瓶体更换机无需更换螺丝、星轮等零件，通过自动中心校正功能可实现准确的瓶体更换和中心校正。
- 拉肩式设计，在充填粘稠度高的乳剂时通过使瓶体高速旋转，能够很容易就充填好。
- 在一次充填中，能够分别设置瓶体与瓶口的旋转速度，因此能够干净利落的充填到瓶口位置。
- 由于使用AC伺服马达控制所有动作，无需更换凸轮等部件，能够记忆99个品种，可根据材料的粘稠度变化进行简单的修正。

## Dimensions 尺寸图



WR-300BF

WR-500BF

**WIST**  
Factory Automation & Robotics

## Specifications 规格

Filling volume	充 填 机	WR-300BF	10.0 to 330.0 cc digitally variable (1100 cc as options) 10.0~330.0cc 数字可变 (选配1100cc)
		WR-500BF	10.0 to 550.0 cc digitally variable (1100 cc as options) 10.0~550.0cc 数字可变 (选配1100cc)
Filling method	充 填 方 式	AC servo-driven piston-type volume filling 由AC伺服驱动的活塞式容积充填	
Bottle rotation/raising/lowering section	瓶 体 旋 转 / 升 降 部	Rotation: 1,500 rpm max., 2-speed servo 旋转: MAX1500rpm 2档变速 伺服驱动	
		Raising/lowering: 120 mm ST max., servo 升降: MAX120mm行程 伺服驱动	
Number of product types in memory	品 种 记 忆 数	99: Filling volume, speed, smoothness, sacks, raised/lowered positions and rotational speed 99个品种: 充填量、速度、光滑度、回吸、升降位置、旋转速度	
Materials for sections exposed to liquids	接 液 部 材 质	SUS316, Viton, and resin SUS316 氟橡胶、树脂	
Filling capacity	生 产 能 力	20 to 30 units/min (varies with liquid properties) 20~30个 / 分钟 (因液体性质而有所不同)	
Safety devices	安 全 装 置	Holds items in place by vacuum adsorption during rotation. Provided with emergency stop switch. 夹具旋转时用传入卡盘固定、紧急停止开关	
Bottle changer	瓶 体 更 换 机	Servo-driven side-belt type 伺服驱动式侧面传送带方式	
Applicable bottles	对 象 瓶 体	28 to 80 mm dia, 40 to 80 mm high, round, square and oval φ28~φ80mm、H: 40~80mm、圆形、角形、椭圆	
Utilities	应 用	Power: 30 A at 3-phase 200 VAC, Air: 0.5 Mpa min. AC200V 3相 30A、气压 0.5MPa以上	

Distributor <销售商>

Manufacturer <制造商>

**WIST CO., LTD**

2-26, 3-chome, Hikaridai, Seikacho,  
Sorakugun, Kyoto 619-0237 Japan

**株式会社 WIST**

邮编619-0237 京都府相乐郡精华町光台3丁目2番26号

TEL.81-774-98-6767 FAX.81-774-98-6768

Website 主页: <http://www.wist.co.jp>

**WIST**  
Factory Automation & Robotics