

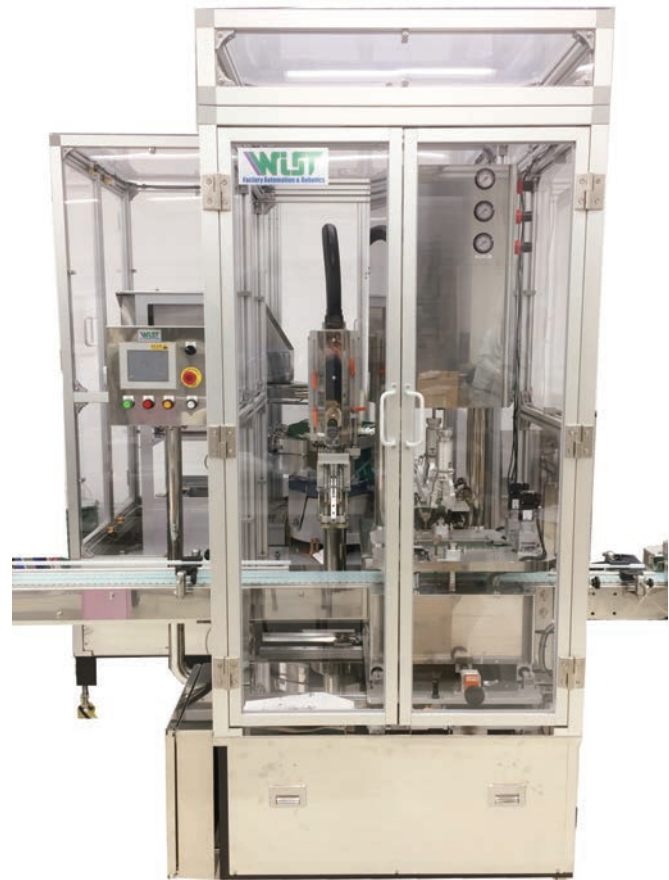
# Factory Automation & Robotics

*Rationalized auto pre-capping machine preformed to wide variety of products.*

## WIST KJ-501

### Features

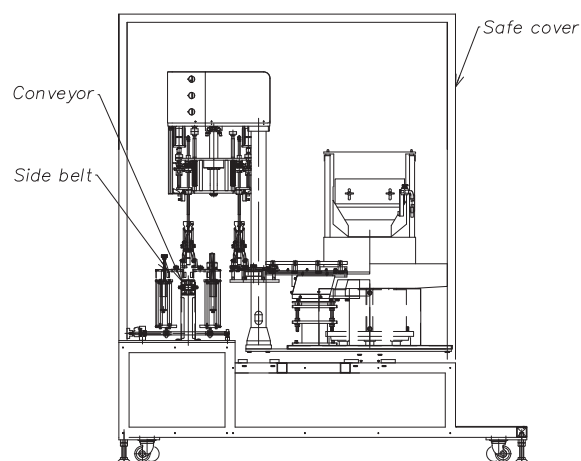
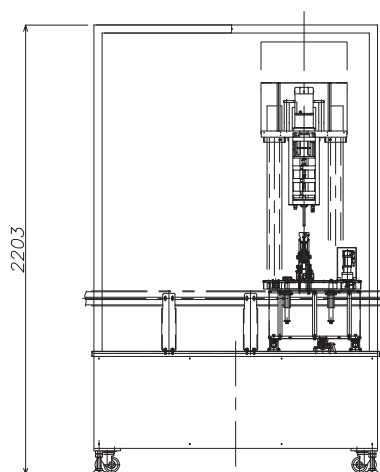
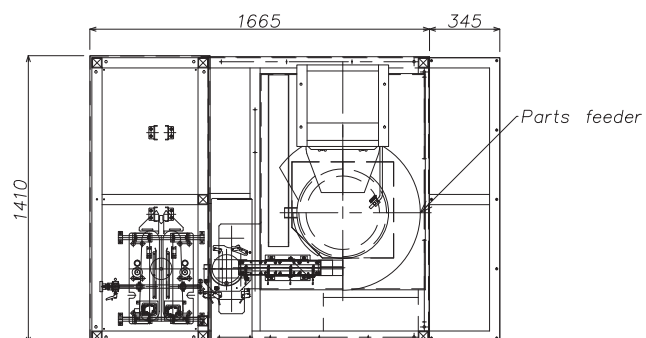
- KJ-501 is space-saving pre-capping machine.
- WIST original pick-maker® equipped, that device automatically calculates the stop position of the bottle, and carry it.
- Draw the products on the conveyer with a side grip conveyer, and at the set position automatically.
- An upper servo capper performs the temporary total of the cap.
- For switching to new product or kinds, only regulate the width of the grip belt and the height of the capper head. KJ-501 supports various size, the bottle of the shape flexibly.
- Space-saving capper, KJ-501 performs an efficient and exact cap transfer, and an automatic supply temporary total by swing arm unit & servo control.
- The adjustment of capping and picking position is easy.
- Supports the cap with siphon also by sliding pick maker® aside. (The supply of the cap with siphon required hand working.)
- Only put caps on the bottles, the capper chuck wakes straight up caps and performs winding correctly.



KJ-501

**WIST**  
Factory Automation & Robotics

## Dimensions



## Specifications

Tightening torque	0.8 ~ 4.0 digital setting
Torque control method	Servo control
No. of workpiece types saved in memory	120
Bottle diameter range covered	φ 30 mm ~ φ 110 mm
Covering bottle shoulder teight	60 mm ~ 180 mm
Caps	φ 15 mm ~ φ 45 mm
Output	MAX 40bottles/min
Utilities	AC200V 20A Air 200 ℓ /min

<Distributor>

<Manufacturer>

**WIST**  
Factory Automation & Robotics

**WIST CO.,LTD**

2-26, 3-chome, Hikaridai, Seikacho,  
Sorakugun, Kyoto 619-0237 Japan

Phone: +81-774-98-6767

Fax: +81-774-98-6768

URL : <http://www.wist.co.jp>

Revised edition : March 2021